

SPECIFICATION APPROVAL SHEET

Customer Name:

No.:

Customer Part Name:

Date: 2018/07/09

Customer Model No.:

Signature of Customer Approval

Part Name: ELECTRIC SOUNDER

Dsg'd: Alan

Model No. : MBTE1290PC-LH001

Chk'd: Jason

Revision : 1.0

App'd: Arlang

MARQUESS[®]

MARQUESS CO., LTD

1F,NO.123, SEC. 3, HUAN NAN. RD., PING CHEN DISTRICT,
TAOYUAN CITY, TAIWAN, R. O. C.

TEL : +886-3-4287262

FAX : +886-3-2842353

[HTTP://www.marquess.com.tw](http://www.marquess.com.tw)

MF-D001

SPEC

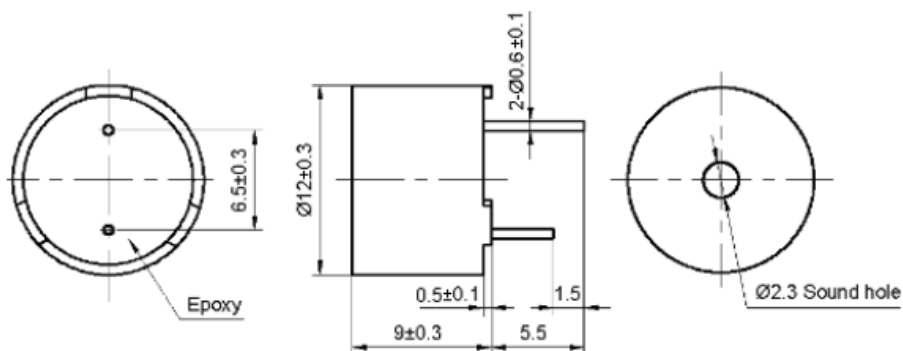
1	Rated Voltage (V)	12
2	Operating Voltage (V)	7~15
3	Resonant Frequency (Hz)	2400
4	☆Coil Resistance (Ω)	140 ± 20
5	☆*Sound Output at 10cm (dB)	≥90
6	☆*Current Consumption (mA)	≤40
7	Operating Temperature (°C)	-40~+85
8	Storage Temperature (°C)	-40~+90
9	Weight (g)	2
10	Case material and color	PBT/Black
11	RoHS	Yes

*Applying rated voltage (Resonant frequency, 1/2duty, Square wave)

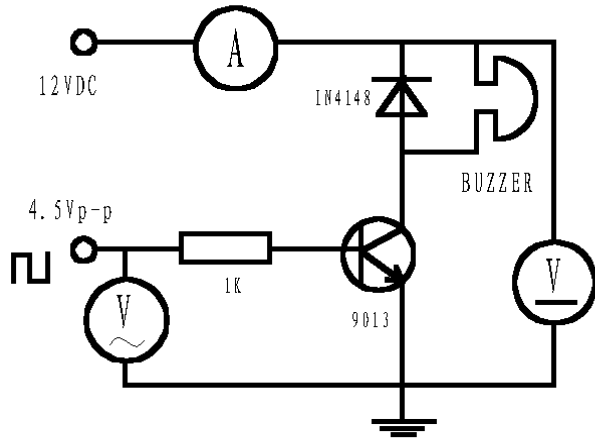
☆Basic Test State: Temp(20 ± 2°C), Humidity(40~70%RH), Air pressure(860~1060hPa).

DIMENSIONS (UNIT: mm)

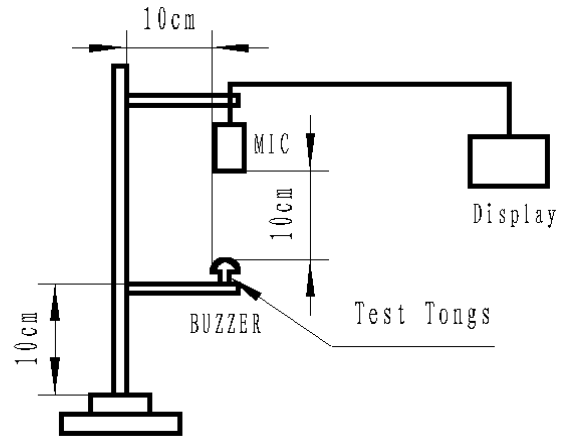
Tolerance: ±0.5mm Except Specified



TEST METHOD:

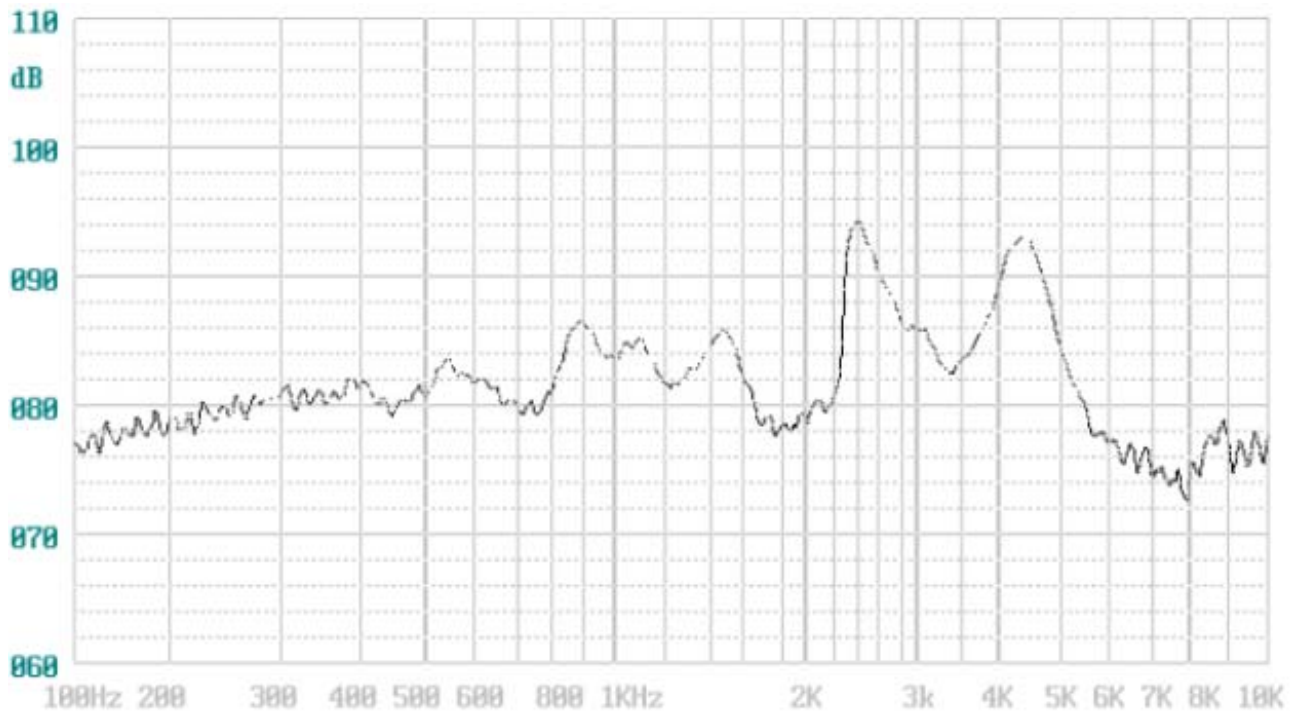


Test Circuit



Test Equipis

FREQUENCY RESPONSE:

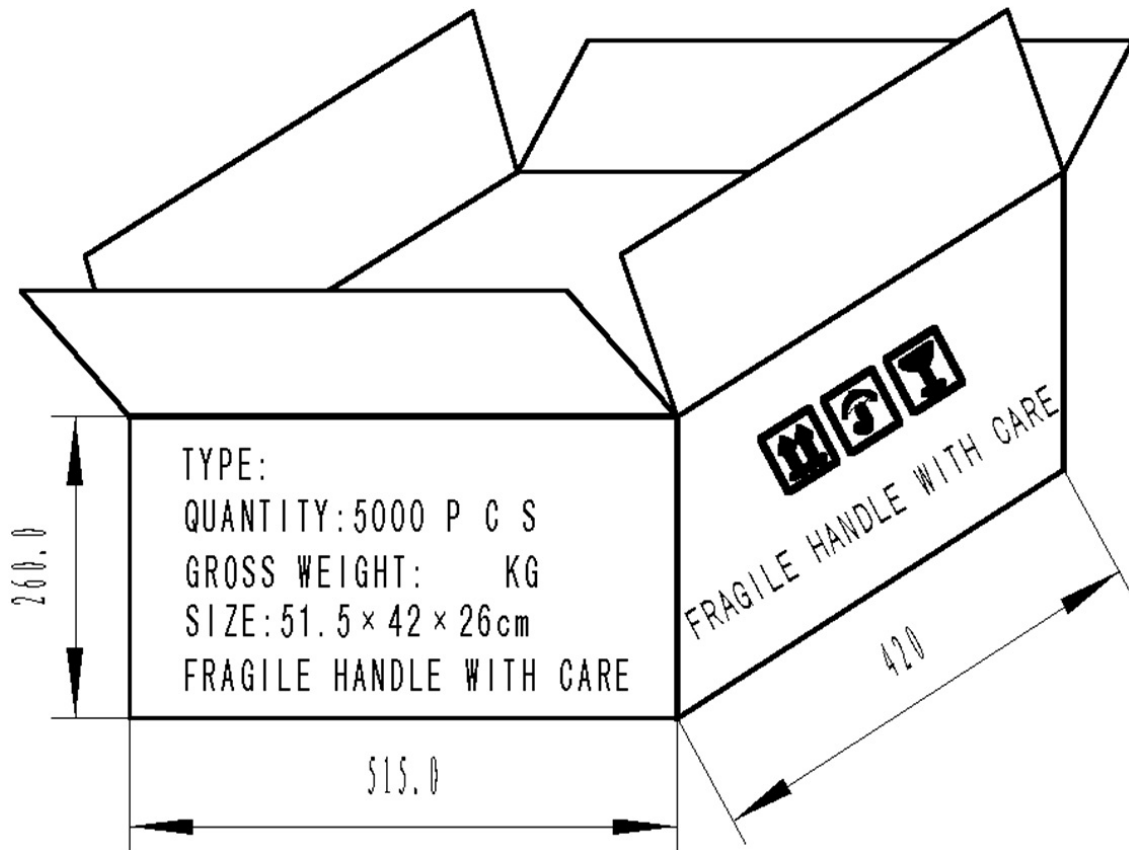


RELIABLY TEST:

NO.	ITEM	TESTING CONDITION	VARIANCE AFTER TEST
1	Humidity	$40 \pm 2^{\circ}\text{C}$, 90~95% RH, 96HRS	All specifications must be satisfied after the test.
2	High temp.	$+90 \pm 2^{\circ}\text{C}$, 96HRS	
3	Low temp.	$-40 \pm 2^{\circ}\text{C}$, 96HRS	
4	Temperature Cycling	$-40 \pm 2^{\circ}\text{C}$, 30minutes room temp. 15 minutes $+90 \pm 2^{\circ}\text{C}$, 30 minutes room temp. 15 minutes 5 cycles	
5	Drop test	3 times from height of 70cm onto the surface of 10mm thick wooden board.	
6	Vibration test	Make the test for the directions of X Y and Z (total 0.5 hours). To-and-fro. sweep time (from 10 to 55 Hz and then from 55 to 10 Hz) under single amplitude of 1.0mm is 1 minute.	
7	Solder heat resistance	The part leads (pins) shall be immersed in molten solder maintained at $260 \pm 5^{\circ}\text{C}$ for a period of 10 seconds. Refer to GB2423.28.	

Warranty: For a period of one year from date of manufacture under normal operations.

PACKING:



NOTES:

1. 100 PCS per box
2. Total 50 boxes per carton
3. Total 5000 PCS carton
4. Volume: 51.5 x 42 x 26cm