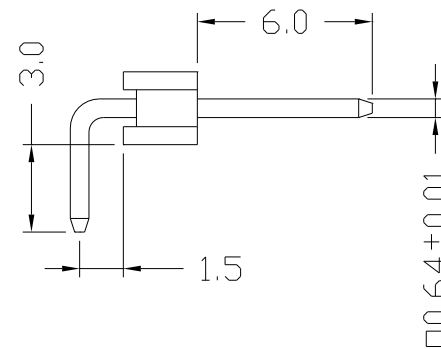
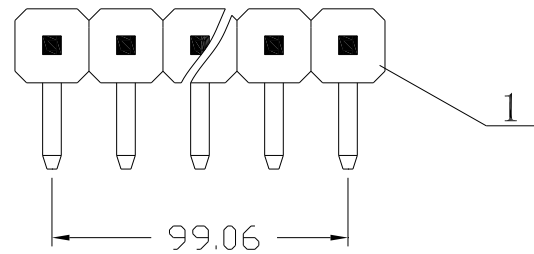
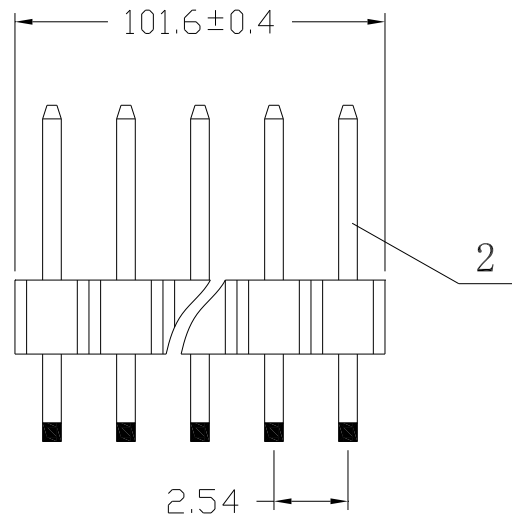


序号/RevNo.	名称/Title	文件编号/File No.
1	塑料件	
2	端子	



Specifications:

Contact Resistance: 30mΩ max.at DC 100 mA
 Insulator Resistance: 1000MΩ min.at DC 500V
 Current Rating: 1AMP

Dielectric Withstanding

Voltage: AC 500V For 1 minute
 Operating Temperature:-55°C--+105°C
 Contact: Brass
 Housing: PBT &30% Glass Fiber(UL 94V-0)

要求:

1. 塑料件无裂痕。
2. 整排端子成一直线，相邻端子之间相互平行。

设计/Designed by	绘图/Drawing by	审核/Checked by	批准/Approved by	未注公差 General Tolerance	
		图名/Title	文件编号/File No.	x. ±0.2	x." ±2°
		112-SR40G		.x ±0.1	.x" ±1°
		备注/Remark	页序/Sheet	.xx ±0.05	.xx" ±0.5°
				.xxx ±0.01	
				单位/Units: mm	