

SPECIFICATION APPROVAL SHEET

Customer Name:

No.:

Customer Part Name:

Date: 2018/05/24

Customer Model No.:

Signature of Customer Approval

Part Name: ELECTRIC SOUNDER Dsg'd: Alan

Model No. : MBBE1295PC-LH001 Chk'd: Jason

Revision : 1.0 App'd: Arlang

MARQUESS[®]

MARQUESS CO., LTD

1F,NO.123, SEC. 3, HUAN NAN. RD., PING CHEN DISTRICT,
TAOYUAN CITY, TAIWAN, R. O. C.

TEL : +886-3-4287262

FAX : +886-3-2842353

[HTTP://www.marquess.com.tw](http://www.marquess.com.tw)

MF-D001

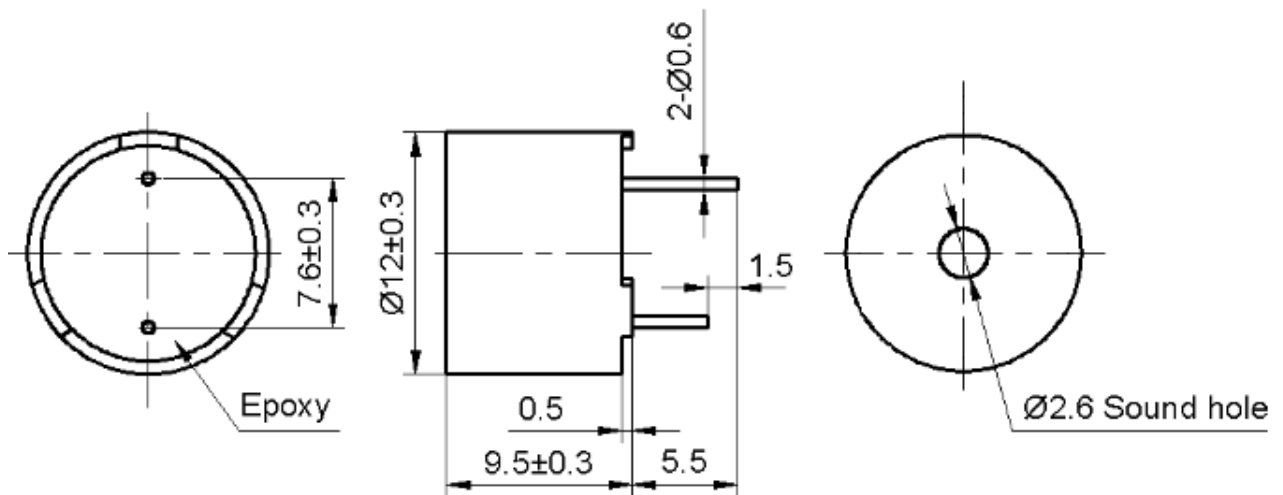
SPEC

1	Rated Voltage (VDC)	12
2	Operating Voltage (VDC)	8~16
3	*Resonant Frequency (Hz)	2400±300
4	*Sound Output at 10cm (dB)	≥85
5	*Current Consumption (mA)	≤30
6	Operating Temperature (°C)	-40~+85
7	Storage Temperature (°C)	-40~+90
8	Weight (g)	2
9	Housing Material	PBT

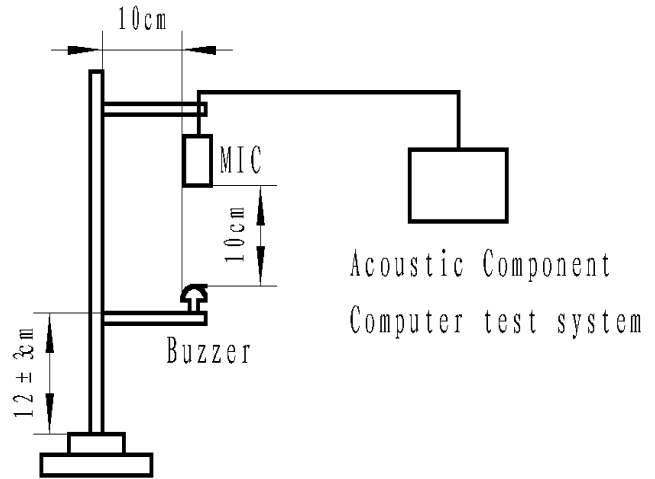
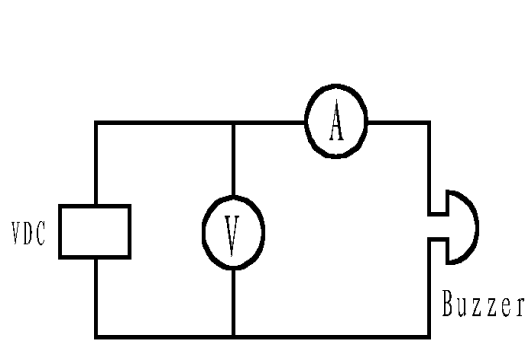
*Applying rated voltage (VDC)

DIMENSIONS (UNIT: mm)

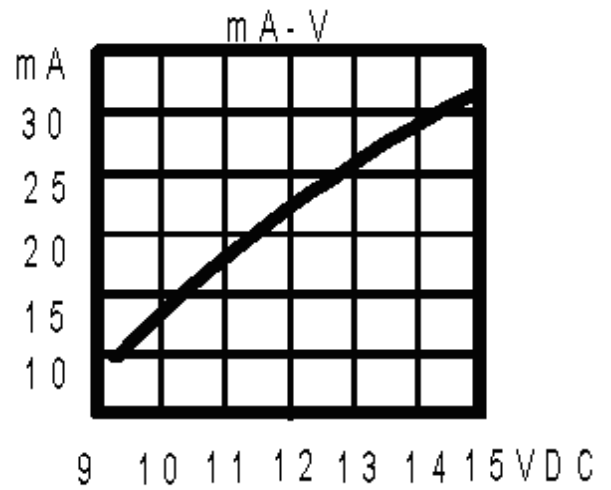
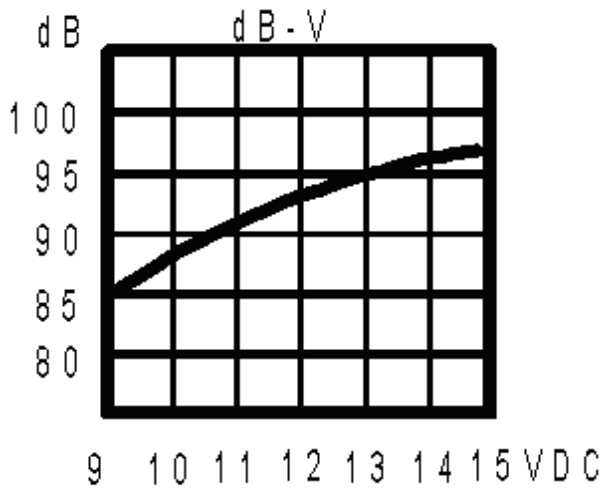
Tolerance: ±0.5mm Except Specified



TEST METHOD:



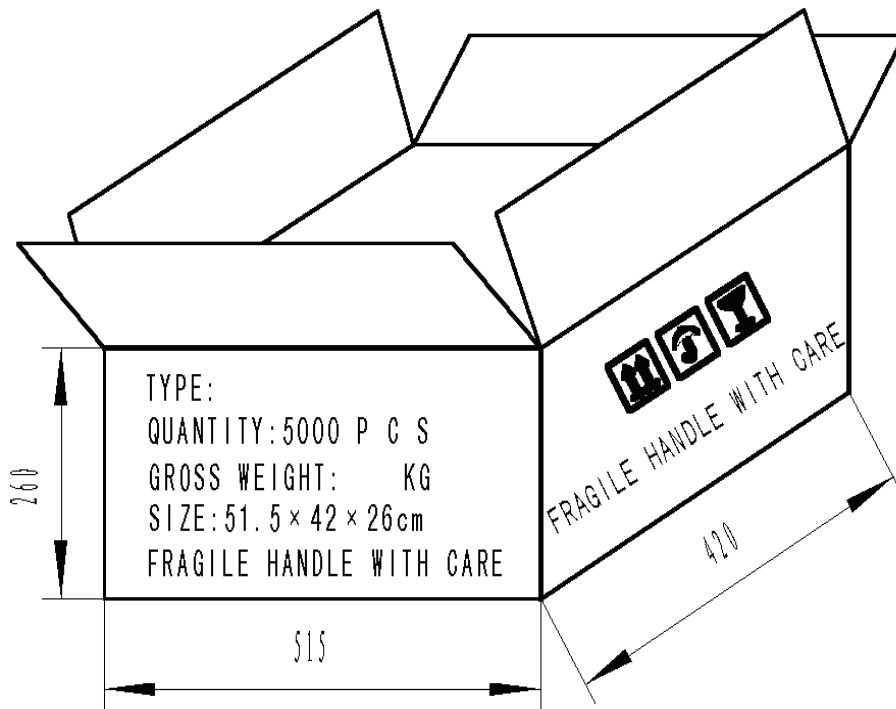
FREQUENCY RESPONSE:



RELIABLY TEST:

NO.	ITEM	TESTING CONDITION	VARIANCE AFTER TEST
1	Humidity	$40 \pm 2^{\circ}\text{C}$, 93(+2/-3)%RH, 96HRS	All specifications must be satisfied after the test.
2	High temp.	$+90 \pm 2^{\circ}\text{C}$, 96HRS	
3	Low temp.	$-40 \pm 2^{\circ}\text{C}$, 96HRS	
4	Temperature cycling	$-40 \pm 2^{\circ}\text{C}$, 30 minutes room temp. 15 minutes $+90 \pm 2^{\circ}\text{C}$, 30 minutes room temp. 15 minutes 5 cycles	
5	Drop test	3 times from height of 70cm onto the surface of 10mm thick wooden board.	
6	Vibration test	Make the test for the directions of X Y and Z (total 0.5 hours). To-and-fro sweep time (from 10 to 55 Hz and then 55 to 10) under single amplitude of 1.0mm is 1 minute.	
7	Solder heat resistance	The part leads (pins) shall be immersed in molten solder maintained at $260 \pm 5^{\circ}\text{C}$ for a period of 10 seconds. Refer to GB2423.28.	

PACKING:



NOTES:

1. 100 PCS per box
2. Total 50 boxes per carton
3. Total 5000 PCS carton
4. Volume: 51.5 × 42 × 26cm