

# PRODUCT SPECIFICATION



**Model No.: FYL-3004UWC1A**

## Descriptions:

- Dice material: InGaN
- Emitting Color: Super Bright White.
- Device Outline: Φ3mm Round Type.
- Lens Type: Water clear.



**RoHS**

CUSTOMER APPROVED SIGNATURES	APPROVED BY	SALES BY	PREPARED BY
			

**NINGBO FORYARD OPTOELECTRONICS CO.,LTD**

**Add:**No. 666 Jinghua Road, Hi-tech Park, Ningbo, Zhejiang, China

**Zip:**315103

**Tel:** 0086-574-87933652 87927870 87922206

**Fax:** 0086-574-87927917

**E-mail:**Sales@foryard.com (General)

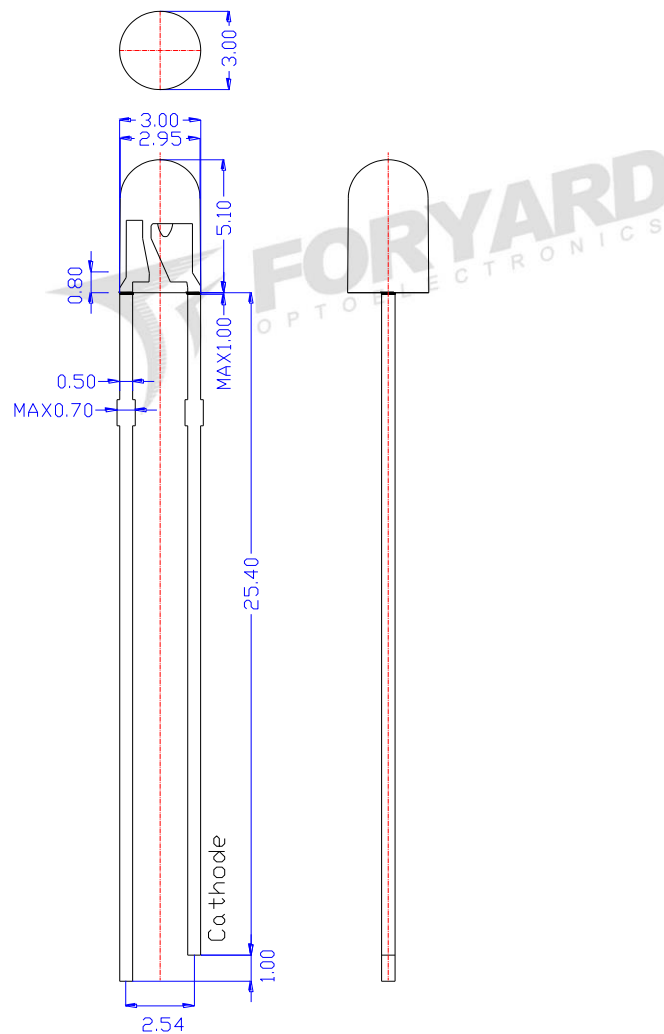
**Http://www.foryard.com**

Model No. : FYL-3004UWC1A

### ■ Features

- 1.Low power consumption.
- 2.High efficiency.
- 3.General purpose leads.
4. High intensity.
- 5.RoHs compliant.

### ■ Mechanical Dimensions



#### Notes:

1. Dimension in millimeter [inch], tolerance is  $\pm 0.25$  [.010] and angle is  $\pm 1^\circ$  unless otherwise noted.
2. Bending  $\leq$  Length\*1%.
- 3.The specifications, characteristics and technical data described in the datasheet are subject to change without prior notice.

Model No. : FYL-3004UWC1A

■ Absolute Maximum Ratings(Ta=25° C)

Items	Symbol	Absolute maximum Rating	Unit
Forward Current(DC)	IF	25	mA
Peak Forward Current*	IFP	100	mA
Power Dissipation	PD	90	mW
Operation Temperature	Topr	-40° C+85° C	°C
Storage Temperature	Tstg	-40°C+100°C	°C
Reverse Voltage	VR	5	V
Lead Soldering Temperature(4mm/ 15	Tsol	Reflow Soldering:260°C/5sec	

\*Pulse width  $\leq$  1msec duty  $\leq$  1/10

■ Typical Electrical &Optical Charcteristics(Ta=25°C)

Items	Symbol	Condition	Min.	Typ.	Max	Unit
Forward Voltage	VF	IF = 10mA	2,80	---	3,60	V
Reverse Current	IR	VR = 5V	---	---	10	uA
Chromatic Coordinates	X	IF = 10mA	---	0,282	---	
	Y		---	0,293	---	
Color temperature	CCT	IF = 10mA	---	9500	---	K
Luminous Intensity	IV	IF = 10mA	---	9000	---	mcd
50% Power Angle	2θ½	IF = 10mA	---	40	---	Deg

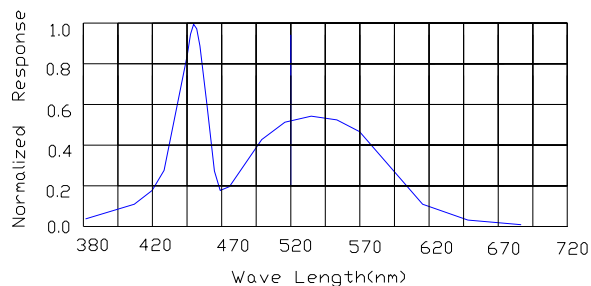
Note:

- 1.Luminous Intensity is based on the Foryard standards.
- 2.Pay attention about static for InGaN

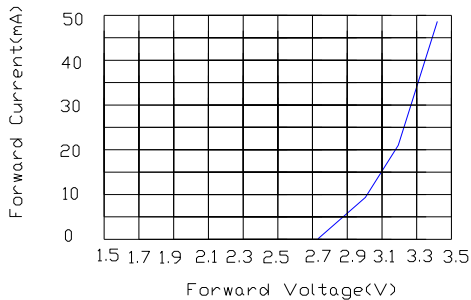
Model No. : FYL-3004UWC1A

■ Typical Eletrical/Optical Characteristics Curves(Ta=25° C Unless Otherwise Noted)

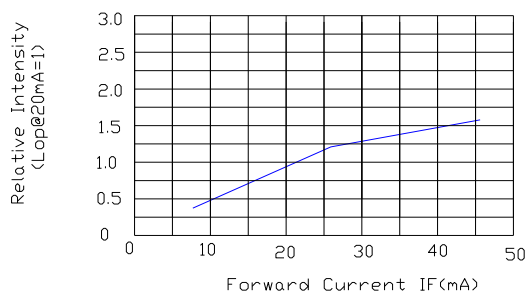
Spectral Reduance



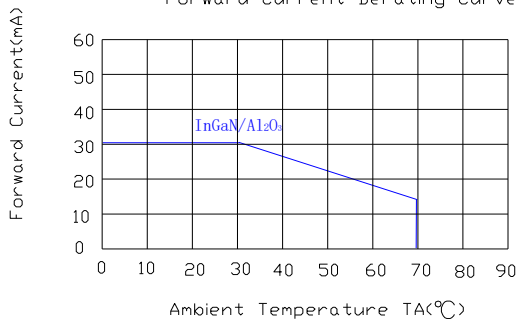
Forward Current Vs Forward Voltage



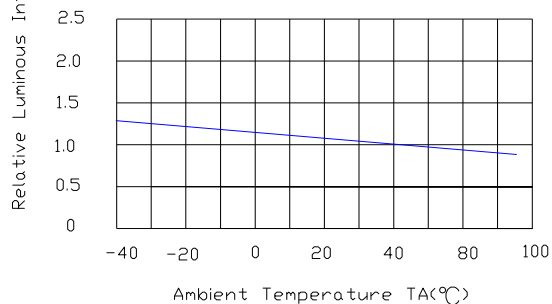
Relative Luminous intensity vs Forward current



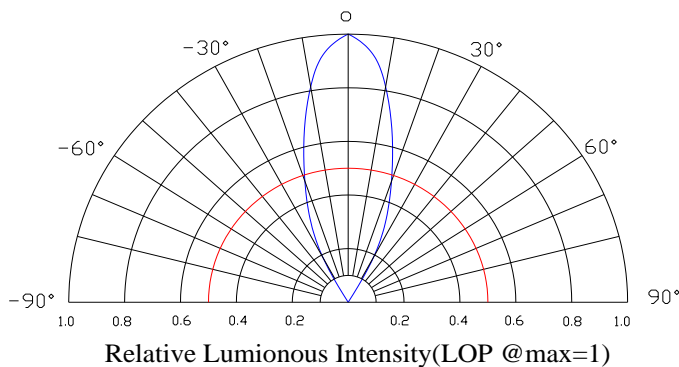
Forward Current Derating Curve



Luminous Intensity Vs. Ambient Temperature

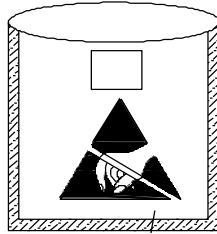
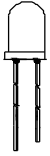


Radiation pattern.

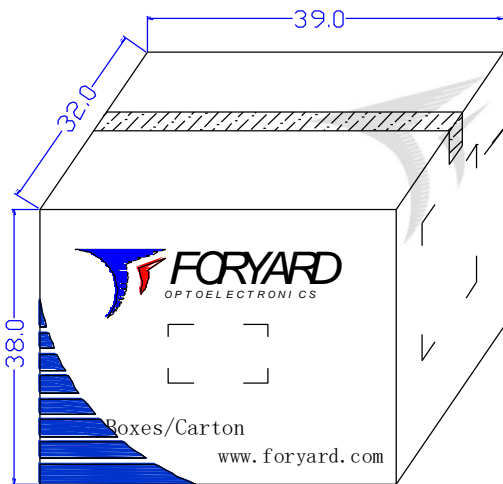


Model No. : FYL-3004UWC1A

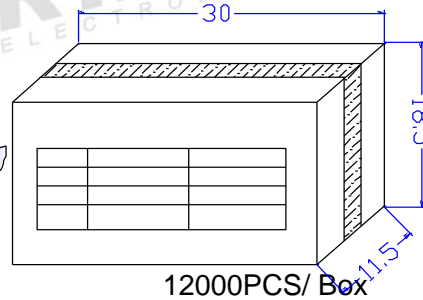
■ Packing Diagram



3mm 1000PCS/Polybag



OUTSIDE LABEL



12000PCS/ Box

72000PCS/ Carton



OUTSIDE LABEL

Note: The specifications are subject to change without notice. Please contact us for updated information.