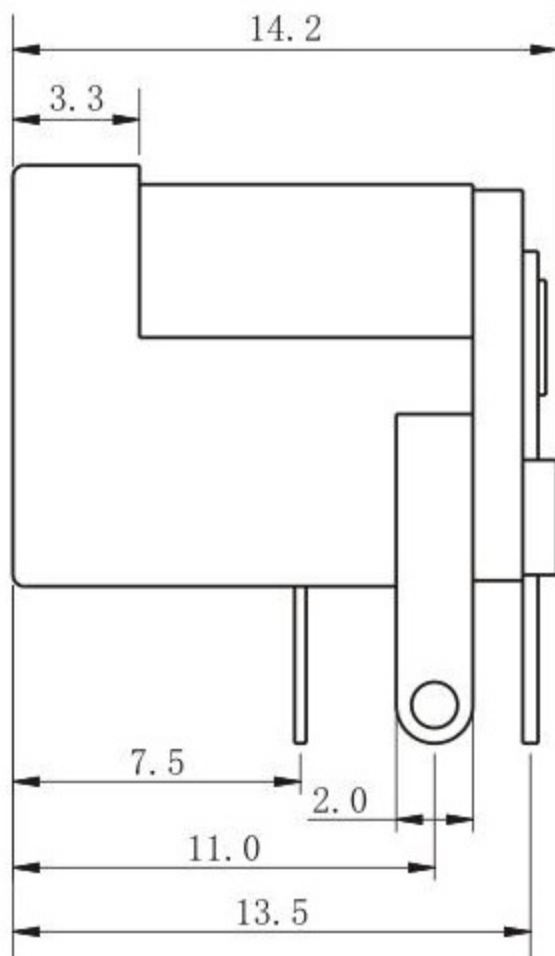
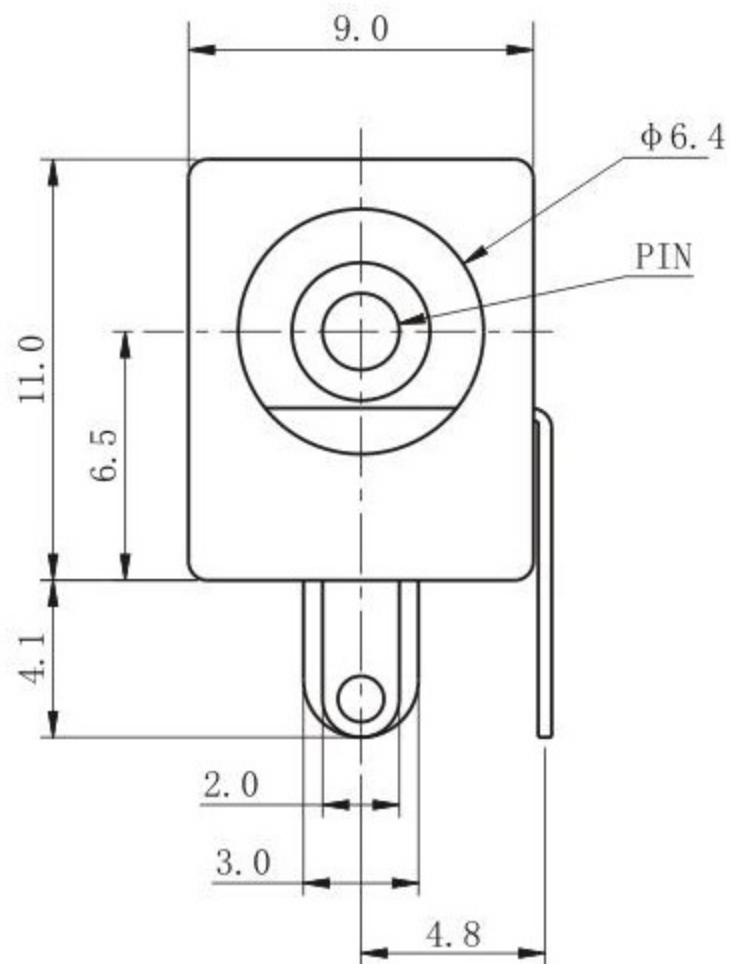




| | | | |
|-----------------------------|-------------|-------------------------------------|------------------|
| 温度范围 Temperature: | -40~70℃ | 耐压 Withstand Voltage: | AC500V(50Hz)/min |
| 额定负荷 Rated Load: | DC 50V 0.2A | 插拔力 Insertion and Extraction Force: | 3~20N |
| 接触电阻 Contact Resistance: | <0.03Ω | 寿命 Life: | >10000次 |
| 绝缘电阻 Insulation Resistance: | ≥ 100MΩ | | |



P. C. B LAYOUT TOP VIEW

