

Feature

- 32.768KHz(32KHz to 100KHz)
- H=1.4mm Max.
- Fundamental
- Compatible with MC146
- Application: Small Communication Devices



Specifications

RoHS Compliant

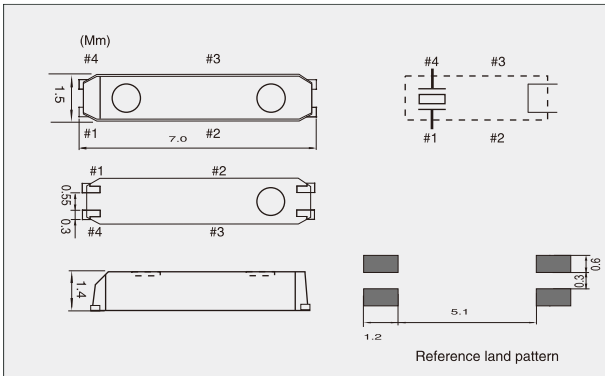


REACH Compliant

Item	Model	RFWD7 Series
Frequency Range		32.768KHz
Oscillator Mode		Tuning Fork
Frequency Tolerance (25±3°C)		±20PPM
Temperature Characteristics (with reference to +25°C)		±20PPM
Operating Temperature Range		-40 to 85°C
Load Capacitance		7pF, 12.5pF
Storage Temperature Range		-55 to 125°C
Drive Level		1μW max.
Turnover Temperature		25°C±5°C
Temperature Coefficient		-0.04ppm/°C ²
Series Resistance		65KΩ Max
Shunt Capacitance		0.8pF Typ.

The above specifications are standard for this RFW products. Custom-made Spec. such as CL and Temp. Stability are also available. Please contact us with your enquiries.

Outline Drawing



Ordering Information

Part Number Guide

RFW X'TAL	D7 Package Size (mm)	12 Load Capacitance (pF)	C Freq. Tol. @25°C (ppm)	H Frequency Stability (ppm)	C Temp. Range (°C)	T Oscillator Mode	- Dash	Freq. (Mhz)
	7.0*1.5*1.4	XX=xpF 7 12.5	C: ± 20 E: ± 30	H: ± 100 K: ± 150	C:-20~70 L:-40~85	T:Tuning Fork		0.032768

Frequency Stability Vs. Temperature Range

Temp.(°C)	Ppm	±100	Over±150
-20 ~ +70		☺	☹
-40 ~ +85		☹	☺

☺ Standard ☹ Not Available

Example RFWD712CHCT-0.032768MHz
 Crystal unit, RoHS Compliant. 7.0*1.5mm·CL=12.5pF·Freq. Tolerance: +/- 20ppm;
 Freq. Stability: +/- 100ppm; Operating Temp. Range: -20~70°C; Tuning Fork ;
 Freq. 0.032768 MHz.
 **Not all combinations of options are available.