



# PRODUCT SPECIFICATION

**Model No.: FYL-5013HD1C20**

Descriptions:
<ul style="list-style-type: none"> <li>■ Dice material: GaP.</li> <li>■ Emitting Color: Hi Red.</li> <li>■ Device Outline: Φ5mm round type.</li> <li>■ Lens Type: Red diffused.</li> </ul>



CUSTOMER APPROVED SIGNATURES	APPROVED BY	SALES BY	PREPARED BY
			

**NINGBO FORYARD OPTOELECTRONICS CO.,LTD**

**Add:**No. 666 Jinghua Road, Hi-tech Park, Ningbo, Zhejiang, China

**Zip:**315103

**Tel:** 0086-574-87933652 87927870 87922206

**Fax:** 0086-574-87927917

**E-mail:**Sales@foryard.com (General)

[Http://www.foryard.com](http://www.foryard.com)

[Http://www.foryard.com](http://www.foryard.com)

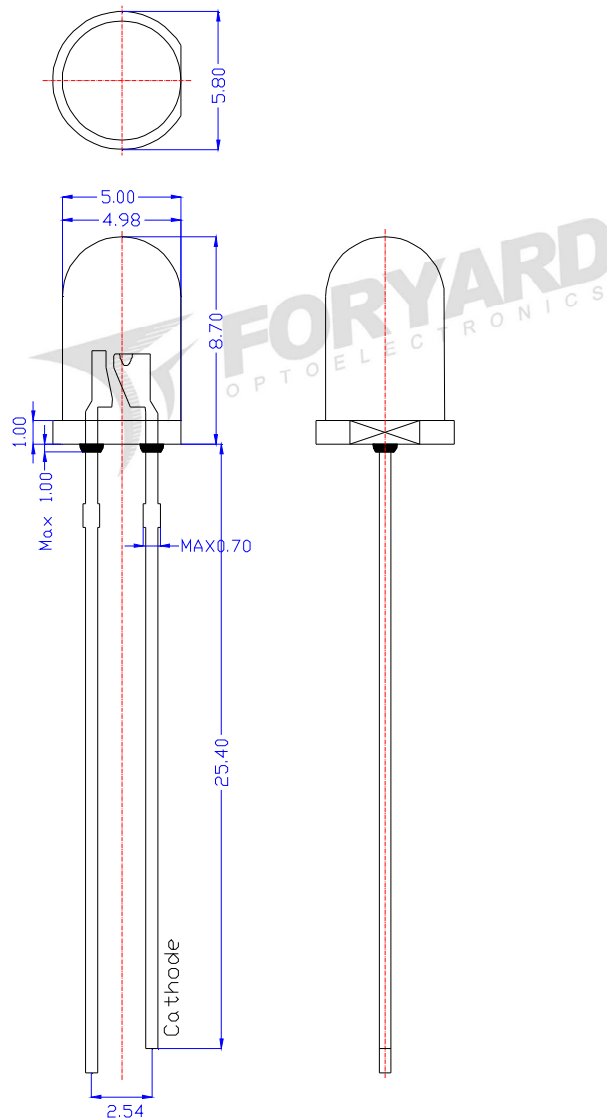
Page : 1/5

**Model No.: FYL-5013HD1C20**

■ **Features**

- 1.Low power consumption.
- 2.High efficiency.
- 3.General purpose leads.
- 4.High intensity.
- 5.RoHs compliant.

■ **Package configuration**



**Notes:**

1. All dimensions are millimeters (inches)
2. Tolerance is  $\pm 0.25\text{mm}(.010\text{'})$  unless otherwise noted.
3. The specifications, characteristics and technical data described in the datasheet are subject to change without prior not

**Model No.: FYL-5013HD1C20**

**■ Absolute Maximum Ratings(Ta=25° C)**

Parameter	MAX.	Unit
Power Dissipation	75	mW
Peak Forward Current (1/10 Duty Cycle, 0.1ms Pulse Width)	100	mA
Continuous Forward Current	30	mA
Derating Linear From 50°C	0.4	mA/°C
Reverse Voltage	5	V
Operating Temperature Range	-40°C to +85°C	
Storage Temperature Range	-40°C to +100°C	
Lead Soldering Temperature[4mm(.157") From Body]	260°C for 5 Seconds	

**■ Typical Electrical & Optical Characteristics(Ta=25°C)**

Parameter	Symbol	Min.	Typ.	Max.	Unit	Test Condition
Luminous Intensity	$I_v$	-	5	-	mcd	IF=20mA
Viewing Angle	$2\theta_{1/2}$	-	20	-	Deg	
Peak Emission Wavelength	$\lambda_p$	-	700	-	nm	
Dominant Wavelength	$\lambda_d$	-	660	-	nm	
Spectral Line Half-Width	$\Delta\lambda$	-	100	-	nm	
Forward Voltage	$V_F$	1.9	2.1	2.5	V	VR=5V
Reverse Current	$I_R$			10	$\mu A$	

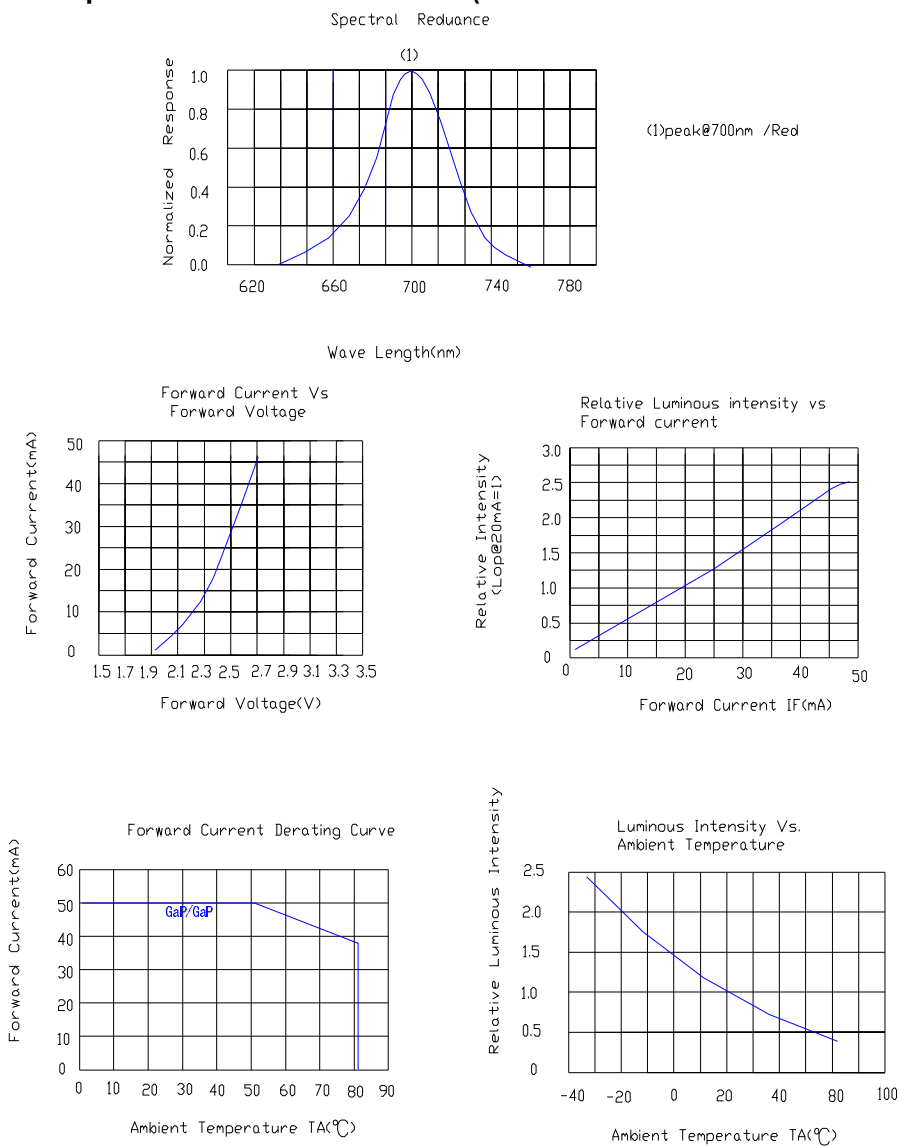
Note:

- 1.Luminous Intensity is based on the Foryard standards.
- 2.Pay attention about static for InGaN

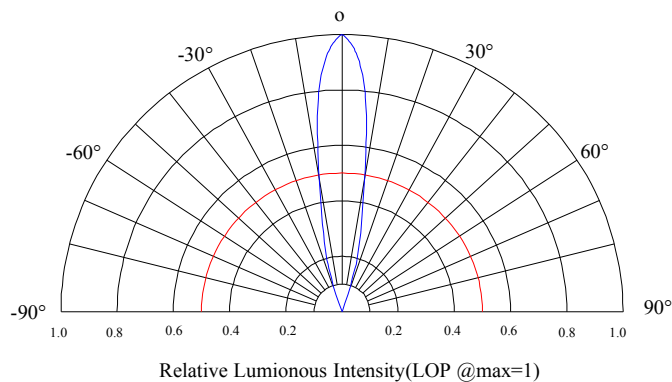


**Model No.: FYL-5013HD1C20**

**Typical Electrical/Optical Characteristics Curves (Ta=25°C Unless Otherwise Noted)**

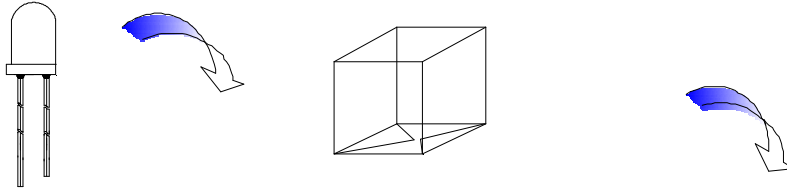


**Radiation pattern.**

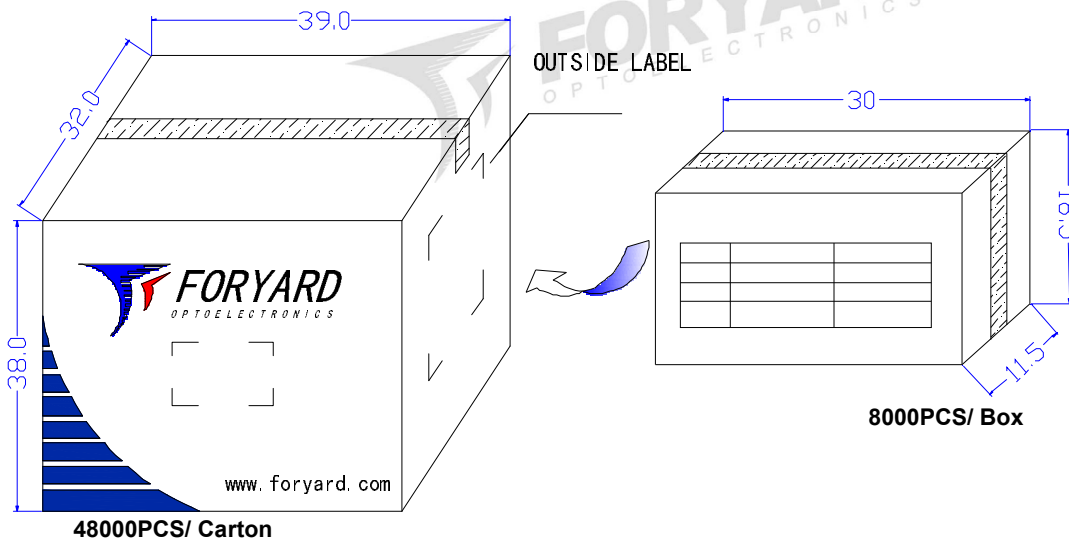
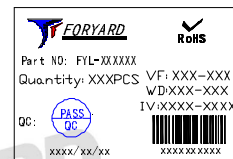


Model No.: FYL-5013HD1C20

■ LAMP PACKING.



5mm 1000PCS/Polybag



OUTSIDE LABEL

Note: The specifications are subject to change without notice. Please contact us for updated information.