

Olitech Electronics Co. Ltd

Email: info@olitech-elec.com

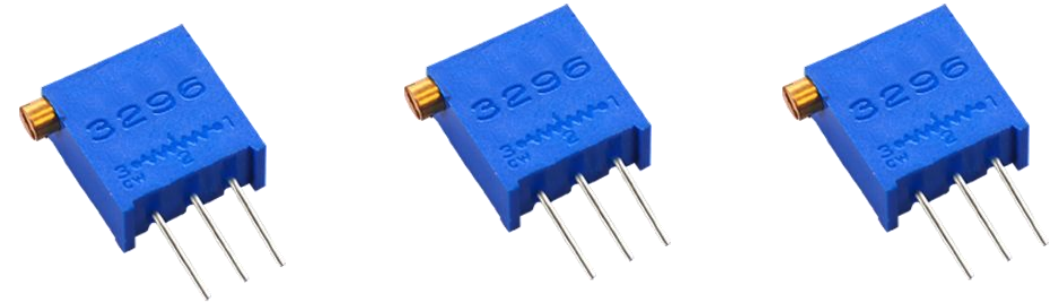
Website: www.olitech-elec.com

3296 (9 mm) Square Trimmer Potentiometer

Multiturn/ Cermet/ Industrial/ Sealed ; 5 Terminal Styles

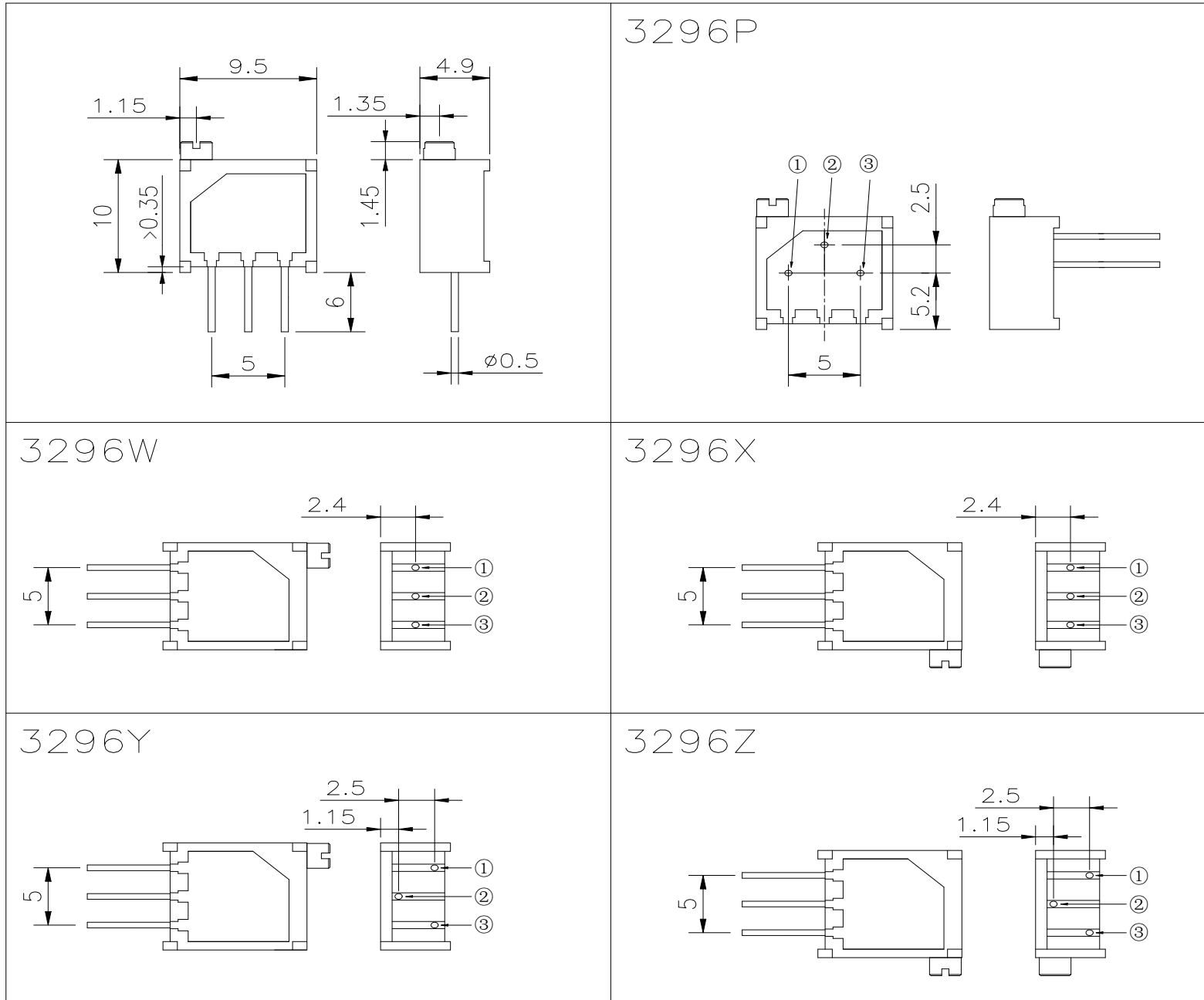
Electrical Characteristics	
Standard Resistance Range	10 Ω -5M Ω
Resistance Tolerance	$\pm 10\%$ (100 Ω ~ 1M) ; $\pm 20\%$ (R<100 Ω ,>1M)
Terminal Resistance	$\leq \pm 1\%R$ or 2 Ω ; $\leq 5\%R$ or 5 Ω
Contact Resistance Variation (CRV)	$\leq \pm 1\%R$ or 3 Ω ; $\leq 5\%R$ or 5 Ω
Insulation Resistance	$\geq 1G\Omega$ (100VAC)
Withstand Voltage	640VAC
Effective Travel	28 \pm 2 turns nom
Limit current of moving contact	100mA

Physical Characteristics	
Starting Torque	$\leq 35mN.m$
Standard Packaging	50pcs per tube
Total Mechanical Travel	30 \pm 2 turns
Mark:	Resistance tolerance (when it is of $\pm 10\%$, no identification) resistance code type



Environment Characteristics	
Power Rating	0.5W (70 $^{\circ}C$) 0W (125 $^{\circ}C$)
Temperature Range	-55 $^{\circ}C$ ~ +125 $^{\circ}C$
Temperature Coefficient	$\pm 250ppm/^{\circ}C$ ($\pm 100ppm/^{\circ}C$ on request)
Collision	(390m/S 2 ,4000 cycles) $\Delta R \leq \pm 1\%R$
Vibration	(10-500HZ, 0.75mm, 6h) $\Delta R \leq \pm 1\%R$; $\Delta Uab/Uac \leq \pm 2\%R$
Temperature Variation	(-55 $^{\circ}C$ /30min, +125 $^{\circ}C$ /30min, 5cycles) $\Delta R \leq \pm 2\%R$, $\Delta Uab/Uac \leq \pm 2\%R$
Climate Category	(meet IEC68-2-2) $\Delta R \leq \pm (5\%R+0.1\Omega)$
Load Life	$\Delta R \leq \pm (5\%R+0.1\Omega)$, CRV $\leq \pm 3\%R$ or 5 Ω
Rotational Life	0.5W 1000h 70 $^{\circ}C$ (200cycles) $\Delta R \leq \pm (10\%R+0.5\Omega)$, CRV $\leq \pm 3\%R$ or 5 Ω
Steady Damp Heat (IEC68-2-3,Ca,96h)	$\Delta R \leq \pm (5\%R+0.1\Omega)$

The outline and sizes



Resistance(Ohms)	Resistance Code
10	100
20	200
50	500
100	101
150	151
200	201
250	251
470	471
500	501
680	681
1,000	102
1,500	152
2,000	202
2,500	252
3,000	302
4,700	472
5,000	502
6,800	682
10,000	103
20,000	203
25,000	253
30,000	303
33,000	333
47,000	473
50,000	503
68,000	683
100,000	104
200,000	204
220,000	224
300,000	304
470,000	474
500,000	504
1,000,000	105
2,000,000	205
2,200,000	225
5,000,000	505

Special resistances available.