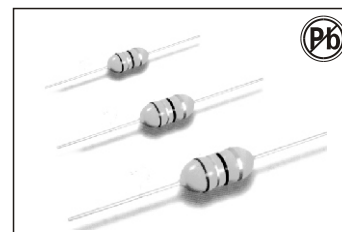


## THROUGH-HOLE AXIAL CONFORMAL COATED INDUCTORS

# LGA-0204 SERIES



### FEATURES:

- Magnetic Core
- Wire-wound construction
- Heat resistant epoxy resin
- High reliability、 Ideal for automatic insertion
- Small size 、 Low Cost

### OPTIONS:

- Packaging: Tape & Reel is Standard (Qty: 5000 pcs)
- Bulk packaging available for smaller quantities
- Tolerance:10% is standard, tighter tolerances available.

### COMMON APPLICATIONS:

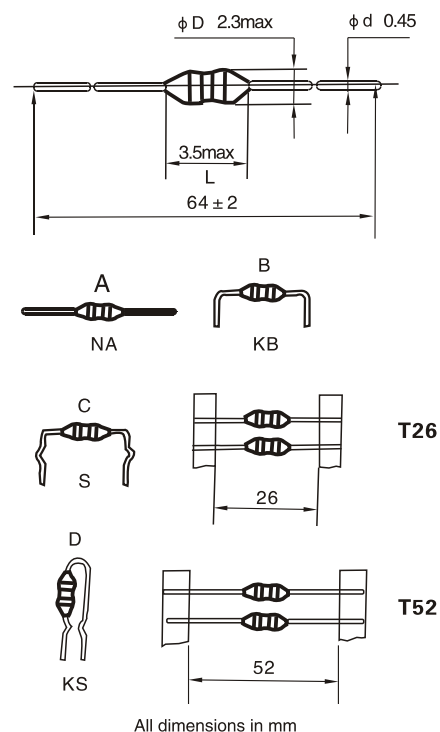
- VCRs
- Automotive Systems
- Computer Peripheral Equipment
- Televisions
- Electronic Games
- Mobile Communications Equipment
- General Electronic Applications

## STANDARD SPECIFICATIONS

Part Number	L (μH)	Tol ± %	Q min	L Test Freq (MHz)	S.R.F (MHz)	R <sub>dc</sub> (Ω) Max	I <sub>dc</sub> (mA)
LAG0204-R22K	0.22	20	35	25.2	150	0.40	400
LAG0204-R27K	0.27	20	35	25.2	150	0.43	380
LAG0204-R33K	0.33	20	35	25.2	150	0.48	370
LAG0204-R39K	0.39	20	35	25.2	150	0.51	350
LAG0204-R47K	0.47	20	35	25.2	150	0.56	330
LAG0204-R56K	0.56	20	35	25.2	150	0.61	320
LAG0204-R68K	0.68	20	35	25.2	150	0.67	310
LAG0204-R82K	0.82	20	35	25.2	150	0.74	290
LAG0204-1R0K	1.0	20	35	25.2	150	0.80	270
LAG0204-1R2K	1.2	20	40	7.96	110	0.90	260
LAG0204-1R5K	1.5	20	40	7.96	80	1.0	250
LAG0204-1R8K	1.8	20	40	7.96	60	1.1	240
LAG0204-2R2K	2.2	20	40	7.96	45	1.2	230
LAG0204-2R7K	2.7	20	40	7.96	40	1.3	220
LAG0204-3R3K	3.3	10	40	7.96	38	1.4	210
LAG0204-3R9K	3.9	10	40	7.96	35	1.5	200
LAG0204-4R7K	4.7	10	40	7.96	32	1.6	190
LAG0204-5R6K	5.6	10	40	7.96	30	1.7	180
LAG0204-6R8K	6.8	10	40	7.96	28	1.9	175
LAG0204-8R2K	8.2	10	40	7.96	26	2.0	165
LAG0204-100K	10	10	40	7.96	24	2.2	160
LAG0204-120K	12	10	40	25.2	22	2.5	150
LAG0204-150K	15	10	40	25.2	20	2.8	145
LAG0204-180K	18	10	40	25.2	18	3.1	140
LAG0204-220K	22	10	40	25.2	17	3.4	130
LAG0204-270K	27	10	40	25.2	16	4.3	80
LAG0204-330K	33	10	40	25.2	14	4.7	76
LAG0204-390K	39	10	40	25.2	13	5.2	74
LAG0204-470K	47	10	40	25.2	12	5.8	70
LAG0204-560K	56	10	40	25.2	11	6.4	68
LAG0204-680K	68	10	40	25.2	10	7.2	64
LAG0204-820K	82	10	40	25.2	9.5	11	46
LAG0204-101K	100	10	40	25.2	9	12	44
LAG0204-121K	120	10	40	0.796	8	13	42
LAG0204-151K	150	10	40	0.796	6	16	39
LAG0204-181K	180	10	40	0.796	5.5	18	37
LAG0204-221K	220	10	40	0.796	5	20	35
LAG0204-271K	220	10	40	0.796	4.6	26	28
LAG0204-331K	220	10	40	0.796	4.2	30	26
LAG0204-391K	220	10	40	0.796	3.8	34	25
LAG0204-471K	220	10	40	0.796	3.5	38	24

Note:1. K=±10%,M=±20%

## PHYSICAL CHARACTERISTICS



## TECHNICAL INFORMATION:

### 1、 Ordering Code

LGA 04 10 KB - 101 K T52  
(1) (2) (3) (4) (5) (6) (7)

- (1) Type
- (2) Outside
- (3) Body Length
- (4) Formed Type
- (5) Nominal Inductance
- (6) Inductance Tolerance
- (7) Tape Type

• Testing:(Equivalent acceptable)

Inductance-Hp 4285A

RDC:QuadTech 1880 Milliohmmer

Q-HP 4342A

SRF-HP 4191A

• IDC Max:The maximum DC value having inductance decrease within 10% and temperature increase within 20°C by the application of DC Bias

• Operating temperature:-25°C to +105°C

• Storage temperature:-40°C to +85°C

• Solderability:Temperature @ 230°C ±5°C for 2 seconds

• Marking:EIA 4 band color code.

Note: All specifications subject to change without notice.



## THROUGH-HOLE AXIAL CONFORMAL COATED INDUCTORS

# LGA 0305 SERIES

### FEATURES:

- Ferrite Core
- Wire-wound construction
- Heat resistant epoxy resin
- High reliability、 Ideal for automatic insertion
- Small size 、 Low Cost

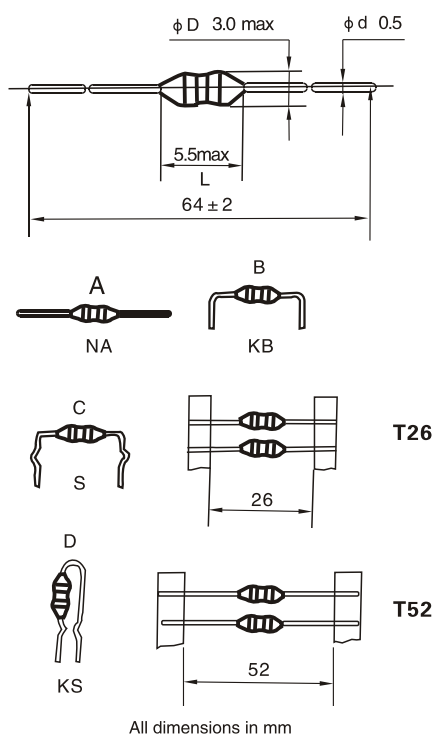
### OPTIONS:

- Packaging: Tape & Reel is Standard (Qty: 1000 pcs)  
Bulk packaging available for smaller quantities
- Tolerance: 10% is standard, tighter tolerances available.

### COMMON APPLICATIONS:

- VCRs, PDP, LCD, TV set
- Automotive Systems
- Computer Peripheral Equipment
- GPS, DC/DC convertor, XDSL Modem
- Electronic Games
- Mobile Communications Equipment
- General Electronic Applications

### PHYSICAL CHARACTERISTICS



### STANDARD SPECIFICATIONS

Part Number	L (μH)	Tol ± %	Q min	L Test Freq (MHz)	S.R.F (MHz)	R <sub>DC</sub> (Ω) Max	I <sub>bc</sub> (mA)
LAG0305-R22K	0.22	20	35	25.2	150	0.40	400
LAG0305-R27K	0.27	20	35	25.2	150	0.43	380
LAG0305-R33K	0.33	20	35	25.2	150	0.48	370
LAG0305-R39K	0.39	20	35	25.2	150	0.51	350
LAG0305-R47K	0.47	20	35	25.2	150	0.56	330
LAG0305-R56K	0.56	20	40	25.2	150	0.61	320
LAG0305-R68K	0.68	20	40	25.2	150	0.67	310
LAG0305-R82K	0.82	20	40	25.2	150	0.74	290
LAG0305-1R0K	1.0	20	40	25.2	150	0.80	270
LAG0305-1R2K	1.2	20	50	7.96	144	0.90	260
LAG0305-1R5K	1.5	20	50	7.96	131	1.0	250
LAG0305-1R8K	1.8	20	50	7.96	121	1.1	240
LAG0305-2R2K	2.2	20	50	7.96	110	1.2	230
LAG0305-2R7K	2.7	20	50	7.96	100	1.3	220
LAG0305-3R3K	3.3	10	50	7.96	90	1.4	210
LAG0305-3R9K	3.9	10	50	7.96	60	1.6	200
LAG0305-4R7K	4.7	10	50	7.96	50	1.7	190
LAG0305-5R6K	5.6	10	50	7.96	42	1.9	180
LAG0305-6R8K	6.8	10	50	7.96	34	2.0	175
LAG0305-8R2K	8.2	10	50	7.96	25	2.2	165
LAG0305-100K	10	10	50	7.96	21	2.5	160
LAG0305-120K	12	10	50	25.2	19	2.5	150
LAG0305-150K	15	10	50	25.2	17	2.8	145
LAG0305-180K	18	10	50	25.2	13	3.1	140
LAG0305-220K	22	10	50	25.2	9.6	3.4	130
LAG0305-270K	27	10	50	25.2	7.2	3.8	125
LAG0305-330K	33	10	50	25.2	6.3	4.1	120
LAG0305-390K	39	10	50	25.2	6.3	4.5	115
LAG0305-470K	47	10	50	25.2	6.3	4.9	110
LAG0305-560K	56	10	50	25.2	6.2	5.3	105
LAG0305-680K	68	10	50	25.2	5.7	5.8	100
LAG0305-820K	82	10	50	25.2	5.3	6.3	95
LAG0305-101K	100	10	50	25.2	4.8	7.0	90
LAG0305-121K	120	10	50	0.796	3.8	13.0	90
LAG0305-151K	150	10	50	0.796	3.5	15.0	85
LAG0305-181K	180	10	50	0.796	3.3	16.0	80
LAG0305-221K	220	10	50	0.796	3.0	17.0	75
LAG0305-271K	270	10	50	0.796	2.8	19.0	65

### TECHNICAL INFORMATION:

#### 1、 Ordering Code

LGA	04	10	KB	-	101	K	T52
(1)	(2)	(3)	(4)		(5)	(6)	(7)

- (1) Type
- (2) Outside
- (3) Body Length
- (4) Formed Type
- (5) Nominal Inductance
- (6) Inductance Tolerance
- (7) Tape Type

- Testing: (Equivalent acceptable)  
Inductance-HP 4285A  
RDC: QuadTech 1880 Milliohmmer  
Q-HP 4342A  
SRF-HP 4191A
- IDC Max: The maximum DC value having inductance decrease within 10% and temperature increase within 20°C by the application of DC Bias
- Operating temperature: -25°C to +105°C
- Storage temperature: -40°C to +85°C
- Solderability: Temperature @ 230°C ± 5°C for 2 seconds
- Marking: EIA 4 band color code.

Note: All specifications subject to change without notice.

Note: 1. K = ± 10%, M = ± 20%

## THROUGH-HOLE AXIAL CONFORMAL COATED INDUCTORS

# LGA 0307 SERIES



### FEATURES:

- Magnetic Core
- Wire-wound construction
- Heat resistant epoxy resin
- High reliability、 Ideal for automatic insertion
- Small size 、 Low Cost

### OPTIONS:

- Packaging: Tape & Reel is Standard (Qty: 5000 pcs)
- Bulk packaging available for smaller quantities
- Tolerance:10% is standard, tighter tolerances available.

### COMMON APPLICATIONS:

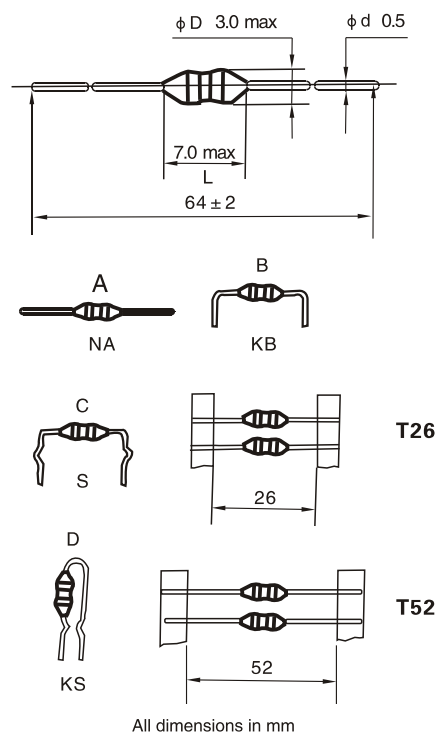
- VCRs
- Automotive Systems
- Computer Peripheral Equipment
- Televisions
- Electronic Games
- Mobile Communications Equipment
- General Electronic Applications

## STANDARD SPECIFICATIONS

Part Number	L (μH)	Tol ± %	Q min	L Test Freq (MHz)	S.R.F (MHz)	R <sub>DC</sub> (Ω) Max	I <sub>DC</sub> (mA)
LGA0307-R22K	0.22	20	35	25.2	150	0.40	400
LGA0307-R27K	0.27	20	35	25.2	150	0.43	380
LGA0307-R33K	0.33	20	35	25.2	150	0.48	370
LGA0307-R39K	0.39	20	35	25.2	150	0.51	350
LGA0307-R47K	0.47	20	35	25.2	150	0.56	330
LGA0307-R56K	0.56	20	40	25.2	150	0.61	320
LGA0307-R68K	0.68	20	40	25.2	150	0.67	310
LGA0307-R82K	0.82	20	40	25.2	150	0.74	290
LGA0307-1R0K	1.0	20	40	25.2	150	0.80	270
LGA0307-1R2K	1.2	20	50	7.96	144	0.90	260
LGA0307-1R5K	1.5	20	50	7.96	131	1.0	250
LGA0307-1R8K	1.8	20	50	7.96	121	1.1	240
LGA0307-2R2K	2.2	20	50	7.96	110	1.2	230
LGA0307-2R7K	2.7	20	50	7.96	100	1.3	220
LGA0307-3R3K	3.3	10	50	7.96	94	1.4	210
LGA0307-3R9K	3.9	10	50	7.96	65	1.6	200
LGA0307-4R7K	4.7	10	50	7.96	56	1.7	190
LGA0307-5R6K	5.6	10	50	7.96	48	1.9	180
LGA0307-6R8K	6.8	10	50	7.96	37	2.0	175
LGA0307-8R2K	8.2	10	50	7.96	25	2.2	165
LGA0307-100K	10	10	50	7.96	21	2.5	160
LGA0307-120K	12	10	50	2.52	19	2.5	150
LGA0307-150K	15	10	50	2.52	17	2.8	145
LGA0307-180K	18	10	50	2.52	13	3.1	140
LGA0307-220K	22	10	50	2.52	9.6	3.4	130
LGA0307-270K	27	10	50	2.52	7.2	3.8	125
LGA0307-330K	33	10	50	2.52	6.3	4.1	120
LGA0307-390K	39	10	50	2.52	6.3	4.5	115
LGA0307-470K	47	10	50	2.52	6.3	4.9	110
LGA0307-560K	56	10	50	2.52	6.2	5.3	105
LGA0307-680K	68	10	50	2.52	5.7	5.8	100
LGA0307-820K	82	10	50	2.52	5.3	6.3	95
LGA0307-101K	100	10	50	2.52	4.8	7.0	90
LGA0307-121K	120	10	50	0.796	3.8	13.0	90
LGA0307-151K	150	10	50	0.796	3.5	15.0	85
LGA0307-181K	180	10	50	0.796	3.3	16.0	80
LGA0307-221K	220	10	50	0.796	3.0	17.0	75
LGA0307-271K	270	10	50	0.796	2.8	19.0	65
LGA0307-331K	330	10	50	0.796	2.6	20.0	60
LGA0307-391K	390	10	50	0.796	2.4	22.0	55
LGA0307-471K	470	10	50	0.796	2.25	24.0	55
LGA0307-561K	560	10	50	0.796	2.10	26.0	50
LGA0307-681K	680	10	50	0.796	1.95	28.0	45
LGA0307-821K	820	10	50	0.796	1.85	30.0	40
LGA0307-102K	1000	10	50	0.796	1.40	33.0	40

Note:1. K= ± 10%,M= ± 20%

## PHYSICAL CHARACTERISTICS



## TECHNICAL INFORMATION:

### 1、 Ordering Code

LGA	04	10	KB	-	101	K	T52
(1)	(2)	(3)	(4)		(5)	(6)	(7)

- (1) Type
- (2) Outside
- (3) Body Length
- (4) Formed Type
- (5) Nominal Inductance
- (6) Inductance Tolerance
- (7) Tape Type

• Testing:(Equivalent acceptable)

- Inductance-HP 4285A
- RDC:QuadTech 1880 Milliohmmer
- Q-HP 4342A
- SRF-HP 4191A

- IDC Max:The maximum DC value having inductance decrease within 10% and temperature increase within 20°C by the application of DC Bias
- Operating temperature:-25°C to +105°C
- Storage temperature:-40°C to + 85°C
- Solderability:Temperature @ 230°C ± 5°C for 2 seconds
- Marking:EIA 4 band color code.

Note: All specifications subject to change without notice.



## THROUGH-HOLE AXIAL CONFORMAL COATED INDUCTORS

# LGA 0410 SERIES

### FEATURES:

- Magnetic Core
- Wire-wound construction
- Heat resistant epoxy resin
- High reliability、 Ideal for automatic insertion
- Small size 、 Low Cost

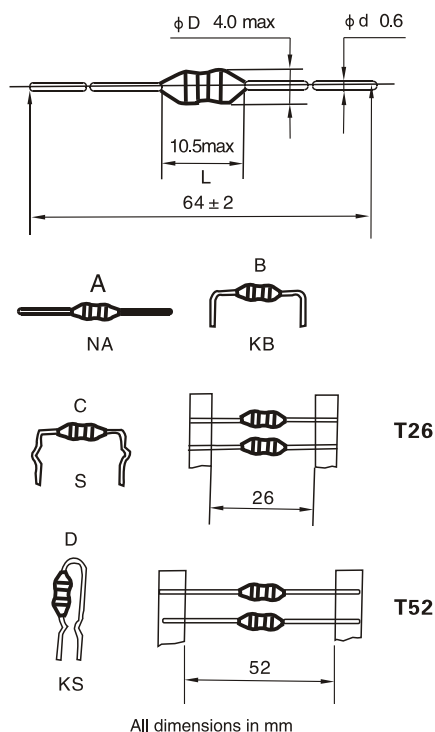
### OPTIONS:

- Packaging: Tape & Reel is Standard (Qty: 5000 pcs)
- Bulk packaging available for smaller quantities
- Tolerance:10% is standard, tighter tolerances available.

### COMMON APPLICATIONS:

- VCRs
- Automotive Systems
- Computer Peripheral Equipment
- Televisions
- Electronic Games
- Mobile Communications Equipment
- General Electronic Applications

### PHYSICAL CHARACTERISTICS



### STANDARD SPECIFICATIONS

Part Number	L (μH)	Tol ± %	Q min	L Test Freq (MHz)	S.R.F (MHz)	R <sub>DC</sub> (Ω) Max	I <sub>DC</sub> (mA)
LGA0410-R22K	0.22	20	45	25.2	300	0.10	1400
LGA0410-R27K	0.27	20	45	25.2	270	0.11	1320
LGA0410-R33K	0.33	20	45	25.2	250	0.12	1280
LGA0410-R39K	0.39	20	45	25.2	230	0.13	1200
LGA0410-R47K	0.47	20	45	25.2	220	0.14	1150
LGA0410-R56K	0.56	20	45	25.2	200	0.15	1100
LGA0410-R68K	0.68	20	45	25.2	190	0.16	1030
LGA0410-R82K	0.82	20	45	25.2	172	0.17	980
LGA0410-1R0K	1.0	20	45	25.2	157	0.19	920
LGA0410-1R2K	1.2	20	50	7.96	144	0.21	880
LGA0410-1R5K	1.5	20	50	7.96	131	0.23	830
LGA0410-1R8K	1.8	20	55	7.96	121	0.25	790
LGA0410-2R2K	2.2	20	55	7.96	110	0.28	750
LGA0410-2R7K	2.7	20	60	7.96	100	0.30	720
LGA0410-3R3K	3.3	10	65	7.96	94	0.34	670
LGA0410-3R9K	3.9	10	65	7.96	55	0.37	640
LGA0410-4R7K	4.7	10	70	7.96	56	0.39	620
LGA0410-5R6K	5.6	10	70	7.96	48	0.43	590
LGA0410-6R8K	6.8	10	75	7.96	37	0.48	550
LGA0410-8R2K	8.2	10	80	7.96	25	0.52	530
LGA0410-100K	10	10	65	7.96	21	0.58	500
LGA0410-120K	12	10	50	2.52	19	1.63	480
LGA0410-150K	15	10	50	2.52	17	0.72	460
LGA0410-180K	18	10	50	2.52	13	0.77	430
LGA0410-220K	22	10	50	2.52	9.6	0.84	410
LGA0410-270K	27	10	55	2.52	7.2	0.94	390
LGA0410-330K	33	10	55	2.52	6.6	1.03	370
LGA0410-390K	39	10	50	2.52	6.6	1.12	350
LGA0410-470K	47	10	45	2.52	6.3	1.22	340
LGA0410-560K	56	10	40	2.52	6.2	1.34	320
LGA0410-680K	68	10	40	2.52	5.7	1.47	305
LGA0410-820K	82	10	35	2.52	5.3	1.62	290
LGA0410-101K	100	10	30	2.52	4.8	1.80	275
LGA0410-121K	120	10	55	0.796	3.8	3.70	185
LGA0410-151K	150	10	45	0.796	3.5	4.20	175
LGA0410-181K	180	10	50	0.796	3.3	4.60	165
LGA0410-221K	220	10	55	0.796	3.0	5.10	155
LGA0410-271K	270	10	65	0.796	2.8	5.80	145
LGA0410-331K	330	10	65	0.796	2.6	6.40	137
LGA0410-391K	390	10	65	0.796	2.4	7.00	133
LGA0410-471K	470	10	60	0.796	2.25	7.70	126
LGA0410-561K	560	10	60	0.796	2.10	8.50	120
LGA0410-681K	680	10	55	0.796	1.95	9.40	113
LGA0410-821K	820	10	55	0.796	1.85	10.5	105
LGA0410-102K	1000	10	50	0.796	1.40	14.0	100

### TECHNICAL INFORMATION:

#### 1、 Ordering Code

LGA	04	10	KB	-	101	K	T52
(1)	(2)	(3)	(4)		(5)	(6)	(7)

- (1) Type
- (2) Outside
- (3) Body Length
- (4) Formed Type
- (5) Nominal Inductance
- (6) Inductance Tolerance
- (7) Tape Type

#### • Testing:(Equivalent acceptable)

Inductance-Hp 4285A  
RDC:QuadTech 1880 Milliohmmer  
Q-HP 4342A  
SRF-HP 4191A

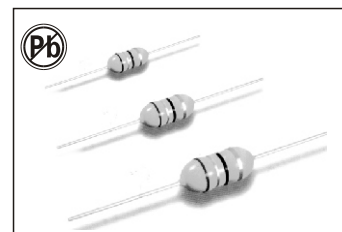
- IDC Max:The maximum DC value having inductance decrease within 10% and temperature increase within 20°C by the application of DC Bias
- Operating temperature:-25°C to +105°C
- Storage temperature:-40°C to +85°C
- Solderability:Temperature @ 230°C ± 5°C for 2 seconds
- Marking:EIA 4 band color code.

Note: All specifications subject to change without notice.

Note:1. K= ± 10%,M= ± 20%

## THROUGH-HOLE AXIAL CONFORMAL COATED INDUCTORS

# LGA 0510 SERIES



### FEATURES:

- Magnetic Core
- Wire-wound construction
- Heat resistant epoxy resin
- High reliability、 Ideal for automatic insertion
- Small size 、 Low Cost

### OPTIONS:

- Packaging: Tape & Reel is Standard (Qty: 5000 pcs)
- Bulk packaging available for smaller quantities
- Tolerance:10% is standard, tighter tolerances available.

### COMMON APPLICATIONS:

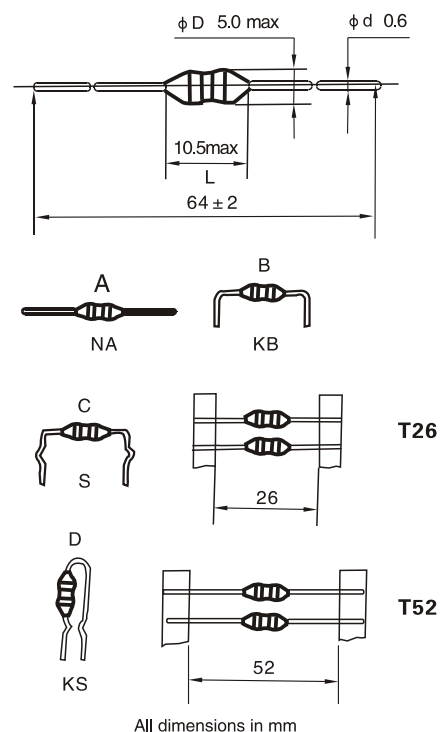
- VCRs
- Automotive Systems
- Computer Peripheral Equipment
- Televisions
- Electronic Games
- Mobile Communications Equipment
- General Electronic Applications

## STANDARD SPECIFICATIONS

Part Number	L (μH)	Tol ± %	Q min	L Test Freq (MHz)	S.R.F (MHz)	R <sub>DC</sub> (Ω) Max	I <sub>DC</sub> (mA)
LGA0510-471K	470	10	60	0.796	1.9	7.70	126
LGA0510-561K	560	10	50	0.796	1.8	8.50	120
LGA0510-681K	680	10	55	0.796	1.5	9.00	113
LGA0510-821K	820	10	45	0.796	1.2	10.5	105
LGA0510-102K	1000	10	45	0.796	1.0	14.0	100
LGA0510-122K	1200	10	40	0.252	0.95	16.9	95
LGA0510-152K	1500	10	40	0.252	0.90	21.6	90
LGA0510-182K	1800	10	40	0.252	0.85	24.0	85
LGA0510-222K	2200	10	40	0.252	0.80	34.7	80
LGA0510-272K	2700	10	40	0.252	0.75	40.0	75
LGA0510-332K	3300	10	40	0.252	0.70	59.5	62
LGA0510-392K	3900	10	40	0.252	0.65	66.0	59
LGA0510-472K	4700	10	40	0.252	0.60	74.0	55
LGA0510-562K	5600	10	30	0.252	0.50	80.0	40
LGA0510-682K	6800	10	30	0.252	0.45	85.0	35
LGA0510-822K	8200	10	30	0.252	0.40	95.0	30
LGA0510-103K	10000	10	20	0.252	0.35	105.0	25

Note:1. K= ± 10%,M= ± 20%

## PHYSICAL CHARACTERISTICS



All dimensions in mm

## TECHNICAL INFORMATION:

### 1、 Ordering Code

LGA	04	10	KB	-	101	K	T52
(1)	(2)	(3)	(4)		(5)	(6)	(7)

- (1) Type
- (2) Outside
- (3) Body Length
- (4) Formed Type
- (5) Nominal Inductance
- (6) Inductance Tolerance
- (7) Tape Type

• Testing:(Equivalent acceptable)

Inductance-Hp 4285A

RDC:QuadTech 1880 Milliohmmer

Q-HP 4342A

SRF-HP 4191A

• IDC Max:The maximum DC value having inductance decrease within 10% and temperature increase within 20°C by the application of DC Bias

• Operating temperature:-25°C to +105°C

• Storage temperature:-40°C to + 85°C

• Solderability:Temperature @ 230°C ± 5°C for 2 seconds

• Marking:EIA 4 band color code.

Note: All specifications subject to change without notice.



## THROUGH-HOLE AXIAL CONFORMAL COATED INDUCTORS

# LGA 0512 SERIES

### FEATURES:

- Ferrite Core
- Wire-wound construction
- Heat resistant epoxy resin
- High reliability. Ideal for automatic insertion
- Small size 、 Low Cost

### OPTIONS:

- Packaging: Tape & Reel is Standard (Qty: 1000 pcs)
- Bulk packaging available for smaller quantities
- Tolerance: 10% is standard, tighter tolerances available.

### COMMON APPLICATIONS:

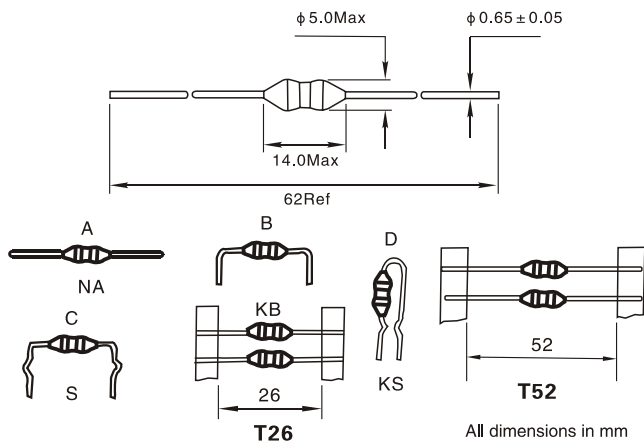
- VCRs, PDP, LCD, TV set
- Automotive Systems
- Computer Peripheral Equipment
- GPS, DC/DC convertor, XDSL Modem
- Electronic Games
- Mobile Communications Equipment
- General Electronic Applications

## STANDARD SPECIFICATIONS

Part Number	L (μH)	L Test Freq (MHz)	Q (Min)	Q Test Freq (MHz)	SRF (MHz)	DCR (Ω Max)	IDC (mA Max)	Part Number	L (μH)	L Test Freq (MHz)	Q (Min)	Q Test Freq (MHz)	SRF (MHz)	DCR (Ω Max)	IDC (mA Max)
LGA0512-1R0K	1.0	7.96	10	7.96	300	0.022	3800	LGA0512-181K	180	0.796	15	0.796	4.0	1.10	400
LGA0512-1R2K	1.2	7.96	10	7.96	260	0.024	3700	LGA0512-221K	220	0.796	15	0.796	3.8	1.25	390
LGA0512-1R5K	1.5	7.96	10	7.96	250	0.026	3600	LGA0512-271K	270	0.796	15	0.796	3.5	1.85	330
LGA0512-1R8K	1.8	7.96	10	7.96	240	0.029	3100	LGA0512-331K	330	0.796	15	0.796	3.0	2.10	310
LGA0512-2R2K	2.2	7.96	10	7.96	220	0.031	2900	LGA0512-391K	390	0.796	15	0.796	2.8	2.28	300
LGA0512-2R7K	2.7	7.96	10	7.96	195	0.034	2700	LGA0512-471K	470	0.796	15	0.796	2.5	3.22	280
LGA0512-3R3K	3.3	7.96	10	7.96	155	0.038	2600	LGA0512-561K	560	0.796	15	0.796	2.2	3.85	270
LGA0512-3R9K	3.9	7.96	10	7.96	115	0.040	2500	LGA0512-681K	680	0.796	15	0.796	2.1	4.00	240
LGA0512-4R7K	4.7	7.96	10	7.96	85	0.044	2400	LGA0512-821K	820	0.796	15	0.796	2.0	5.00	230
LGA0512-5R6K	5.6	7.96	10	7.96	55	0.048	2100	LGA0512-102K	1000	0.796	15	0.796	1.8	5.80	190
LGA0512-6R8K	6.8	7.96	10	7.96	50	0.051	2000	LGA0512-122K	1200	0.796	15	0.796	1.6	7.10	180
LGA0512-8R2K	8.2	7.96	10	7.96	38	0.056	1950	LGA0512-152K	1500	0.796	15	0.796	1.5	7.8	170
LGA0512-100K	10	7.96	10	7.96	24	0.062	1900	LGA0512-182K	1800	0.796	15	0.796	1.3	11.0	150
LGA0512-120K	12	2.52	10	2.52	18	0.076	1800	LGA0512-222K	2200	0.796	35	0.796	1.2	14.0	120
LGA0512-150K	15	2.52	10	2.52	16	0.088	1700	LGA0512-272K	2700	0.796	35	0.796	1.1	18.0	100
LGA0512-180K	18	2.52	10	2.52	15	0.11	1600	LGA0512-332K	3300	0.796	35	0.796	1.0	22.0	80
LGA0512-220K	22	2.52	10	2.52	14	0.13	1550	LGA0512-392K	3900	0.252	40	0.252	0.9	26.0	60
LGA0512-270K	27	2.52	10	2.52	13	0.14	1300	LGA0512-472K	4700	0.252	50	0.252	0.7	32.0	50
LGA0512-330K	33	2.52	10	2.52	11	0.20	1200	LGA0512-562K	5600	0.252	70	0.252	0.6	34.0	40
LGA0512-390K	39	2.52	10	2.52	10	0.22	1000	LGA0512-682K	6800	0.252	70	0.252	0.5	45.0	34
LGA0512-430K	43	2.52	10	2.52	9.5	0.28	950	LGA0512-822K	8200	0.252	50	0.252	0.4	60.0	30
LGA0512-470K	47	2.52	10	2.52	9.5	0.28	950	LGA0512-103K	10000	0.0796	40	0.0796	0.4	70.0	28
LGA0512-560K	56	2.52	10	2.52	8.0	0.30	900	LGA0512-123K	12000	0.0796	40	0.0796	0.3	82.0	24
LGA0512-680K	68	2.52	10	2.52	7.5	0.34	800	LGA0512-153K	15000	0.0796	40	0.0796	0.3	89.0	22
LGA0512-820K	82	2.52	10	2.52	7.0	0.385	750	LGA0512-183K	18000	0.0796	40	0.0796	0.3	141.0	15
LGA0512-101K	100	0.796	15	0.796	6.5	0.48	700	LGA0512-223K	22000	0.0796	40	0.0796	0.2	170.0	12
LGA0512-121K	120	0.796	15	0.796	5.0	0.595	600	LGA0512-333K	33000	0.0796	40	0.0796	0.2	250.0	8
LGA0512-151K	150	0.796	15	0.796	4.5	0.90	500								

Note: 1. K = ± 10%, M = ± 20%

## PHYSICAL CHARACTERISTICS



## Electronical Schematic

### DIMENSIONS in mm

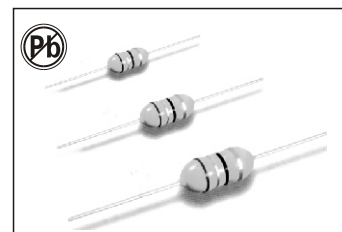


## TECHNICAL INFORMATION

- Inductance Testing: HP4284A, HP4285A or equivalent
  - RDC: QuadTech 1880 Milliohm meter
  - Q- HP4342A
  - SRF-HP4191A or HP4194A
  - Rated Current L value drop 10% typ. at I<sub>DC</sub> against its initial value
  - Temperature rise 40°C Max Reference ambient temperature
  - Solderability: 75% of the lead wire shall be covered
  - Soldering Methods: Wave, Reflow
  - Operating Temperature: -25°C to +85°C
  - Storage Temperature: -55°C to +125°C
  - Terminal bending strength: 24.5N Min
  - Moisture resistance: ΔL/L ≤ ± 10% ΔQ/Q ≤ ± 25%
- Note: All specifications subject to change without notice.

## THROUGH-HOLE AXIAL CONFORMAL COATED INDUCTORS

# LGA 0612 SERIES



### FEATURES:

- Magnetic Core
- Wire-wound construction
- Heat resistant epoxy resin
- High reliability, Ideal for automatic insertion
- Small size , Low Cost

### OPTIONS:

- Packaging: Tape & Reel is Standard (Qty: 5000 pcs)
- Bulk packaging available for smaller quantities
- Tolerance:10% is standard, tighter tolerances available.

### COMMON APPLICATIONS:

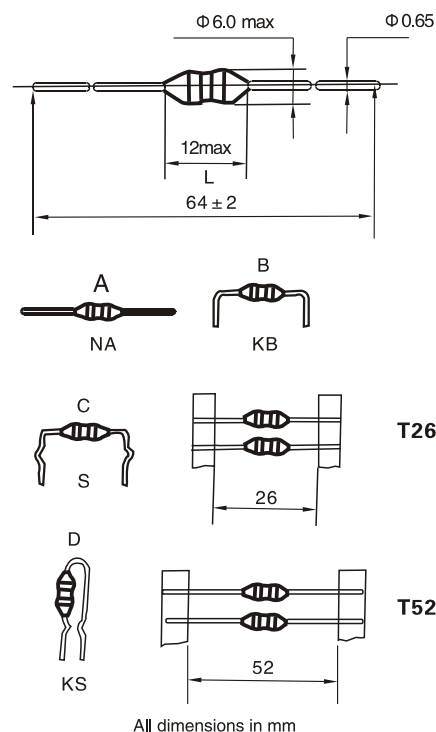
- VCRs
- Automotive Systems
- Computer Peripheral Equipment
- Televisions
- Electronic Games
- Mobile Communications Equipment
- General Electronic Applications

## STANDARD SPECIFICATIONS

Part Number	L (μH)	Tol ± %	Q min	L Test Freq (MHz)	S.R.F (MHz)	R <sub>DC</sub> (Ω) Max	I <sub>DC</sub> (mA)
LGA0612-471K	470	10	50	0.796	2.00	1.90	340
LGA0612-561K	560	10	50	0.796	1.7	2.05	310
LGA0612-681K	680	10	50	0.796	1.6	2.30	280
LGA0612-821K	820	10	50	0.796	1.3	2.94	260
LGA0612-102K	1000	10	50	0.796	1.0	3.85	230
LGA0612-122K	1200	10	50	0.252	0.90	5.70	210
LGA0612-152K	1500	10	50	0.252	0.80	6.75	200
LGA0612-182K	1800	10	50	0.252	0.70	7.55	160
LGA0612-222K	2200	10	50	0.252	0.65	8.74	130
LGA0612-272K	2700	10	50	0.252	0.60	11.4	90
LGA0612-332K	3300	10	50	0.252	0.58	13.1	86
LGA0612-392K	3900	10	50	0.252	0.55	17.4	82
LGA0612-472K	4700	10	50	0.252	0.50	24.8	80
LGA0612-562K	5600	10	50	0.252	0.45	26.8	76
LGA0612-682K	6800	10	50	0.252	0.41	31.6	72
LGA0612-822K	8200	10	40	0.252	0.35	40.8	70
LGA0612-103K	10000	10	40	0.252	0.30	45.3	60

Note: 1. K= ± 10%,M= ± 20%

## PHYSICAL CHARACTERISTICS



## TECHNICAL INFORMATION:

### 1、 Ordering Code

LGA 04 10 KB - 101 K T52  
(1) (2) (3) (4) (5) (6) (7)

- (1) Type
  - (2) Outside
  - (3) Body Length
  - (4) Formed Type
  - (5) Nominal Inductance
  - (6) Inductance Tolerance
  - (7) Tape Type
- Testing:(Equivalent acceptable)  
Inductance-Hp 4285A  
RDC:QuadTech 1880 Milliohmmer  
Q-HP 4342A  
SRF-HP 4191A

- IDC Max:The maximum DC value having inductance decrease within 10% and temperature increase within 20°C by the application of DC Bias
- Operating temperature:-25°C to +105°C
- Storage temperature:-40°C to + 85°C
- Solderability:Temperature @ 230°C ± 5°C for 2 seconds
- Marking:EIA 4 band color code.

Note: All specifications subject to change without notice.